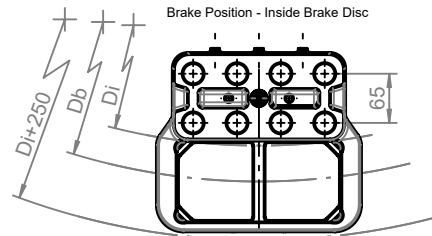
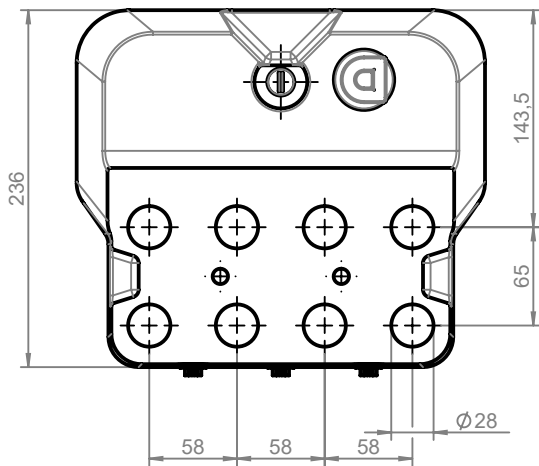
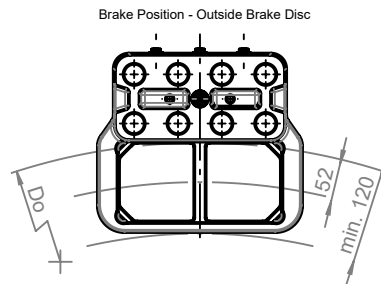


Pressure Port G1/4" M10
for lifting eyes



Only for Inside Brake Disc!
(table 1)

Di	Db
900	984
1000	1087
1200	1290
1400	1493
1600	1695
1800	1897
2200	2099
>2200	Di+100



TECHNICAL DATA

Contact force F_A (per side)	235 kN
Operating pressure p (max)	185 bar
Piston area (per side)	127 cm ²
Volume at 1mm stroke (per side)	12,7 cm ³
Survival temperature	-40 / +60 °C
Operation temperature	-30 / +55 °C
Weight	60 kg
Pressure connection port	G1/4
Drain connection port	G1/4
Theor. friction coefficient	μ 0,3 - 0,4
Brake disc-Ø	refer to table 1
Disc thickness (standard)	30 mm

SPECIAL EQUIPMENT

- Entire hose and piping system
- Hydraulic power unit
- Brake pad with different material (e.g. JHS-2200 or JHS-1604)
- Brake pad wear indicator (indicator pin, electrical wear sensor)
- Leak oil bottle
- Service and handling tools